

# PRODUCT INFORMATION PACKET



Model No: C4D17FK8D

Catalog No: 108052.00

3/4HP.1800RPM.S56C.TEFC.24V.CONT.40C.1.0SF.RIGID C.DC NEMA LOW VOLTAGE.C4D17FK8D  
Low Voltage



Regal and Leeson are trademarks of Regal Beloit Corporation or one of its affiliated companies.

©2018 Regal Beloit Corporation, All Rights Reserved. MC017097E





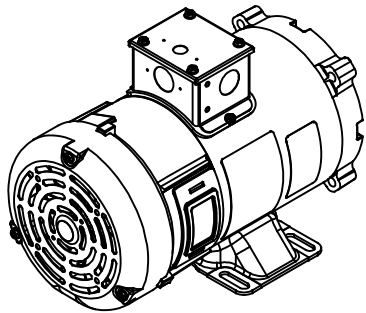
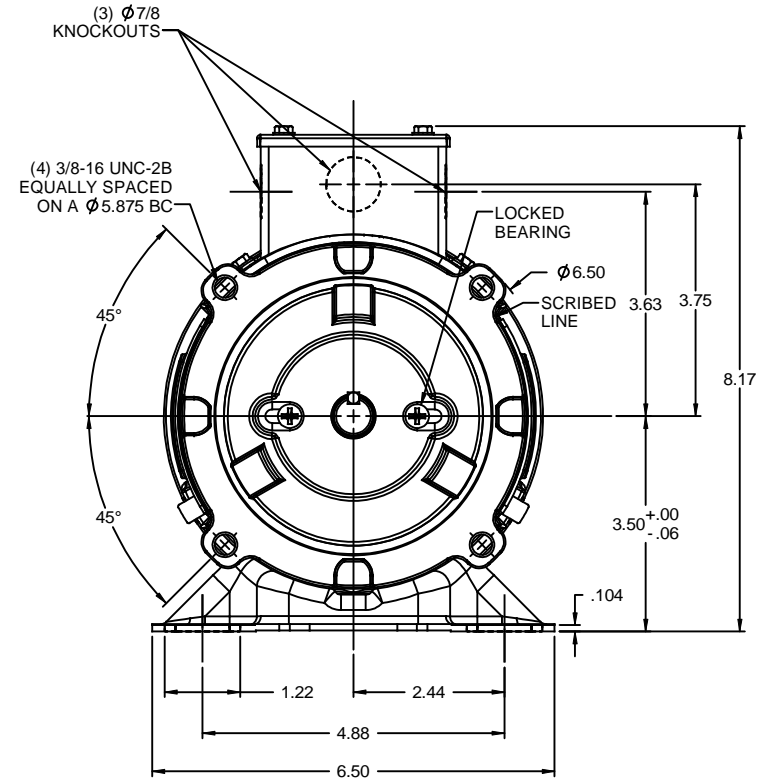
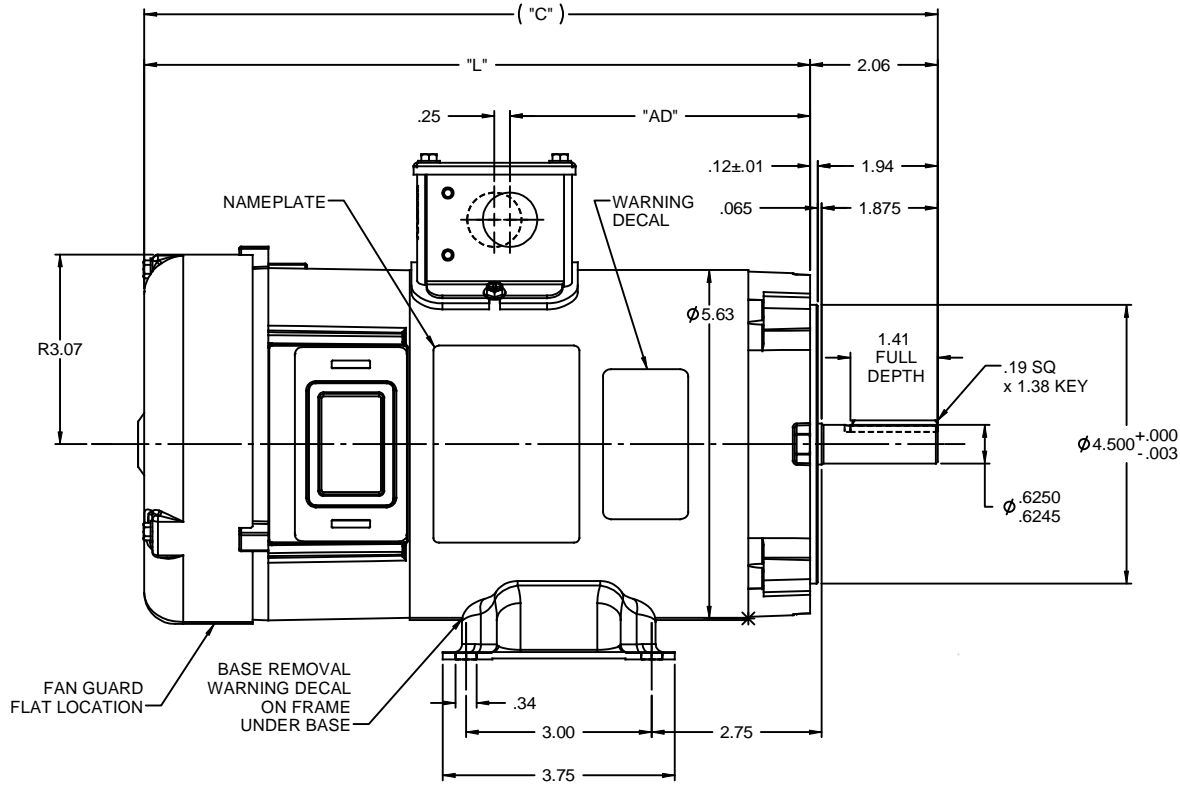
### Nameplate Specifications

Output HP	0.75 Hp	Output KW	0.56 kW
Voltage	24 V	Current	29.0 A
Speed	1800 rpm	Service Factor	1
Efficiency	77 %	Duty	Continuous
Insulation Class	F	Frame	S56C
Enclosure	Totally Enclosed Fan Cooled	Overload Protector	No
Ambient Temperature	40 °C	Drive End Bearing Size	6203
Opp Drive End Bearing Size	6203	UL	Recognized
CSA	Y	CE	N

### Technical Specifications

Rotation	Reversible	Mounting	Rigid C base
Overall Length	12.82 in	Frame Length	5.47 in
Shaft Diameter	0.625 in	Shaft Extension	2.06 in
Outline Drawing	031891-108052		

This is an uncontrolled document once printed or downloaded and is subject to change without notice. Date Created: 10/15/2018



- NOTES:  
 1) MAXIMUM FACE RUNOUT .004 T.I.R.  
 2) MAXIMUM PILOT ECCENTRICITY .004 T.I.R.  
 3) PERMISSIBLE SHAFT RUNOUT .002 T.I.R.  
 4) GASKETS THROUGHOUT.

109102.00	13.82	11.76	5.85	48	1	1800
109101.00	13.82	11.76	5.85	36	1	1800
108605.00	12.82	10.76	4.85	36	3/4	1800
108052.00	12.82	10.76	4.85	24	3/4	1800
<b>CATALOG No.</b>	<b>"C"</b>	<b>"L"</b>	<b>"AD"</b>	<b>VOLTS</b>	<b>H.P.</b>	<b>RPM</b>

03		ADDED NOTE ABOUT FAN GUARD FLAT LOCATION. ISAAC	IPG 12/9/2009	DEC	TOLERANCES UNLESS SPECIFIED INCHES	<b>ELECTRIC MOTORS GEARMOTORS AND DRIVES</b>	DRAWN IPG 4/2/08
09-4813							CHK BC 4/2/08
02		ADDED DATA FOR 108605.00, 109101.00 & 109102.00	IPG 4/6/2009	SK .XX ±.03	TITLE OUTLINE	SCALE 1:2	
01		ADDED PLUG CAP TO FAN GUARD. 108052.00	RPB 3/5/2009	RWS .XXX ±.005	48 FRAME DC - S56C MOUNT	REF 031879	
NO		RELEASED: REF. 031879 & 031187	IPG 4/8/2008	BC .XXX ±.0005	MATL	FMF 108052.75	
REVISION		BY & DATE	CHK ANG ±1/2°	FINISH	PAGE OF		
THIRD ANGLE PROJECTION			RFP	PREV	SIZE	DRAWING NO	REV
			NETWORK FILE NAME		<b>B</b>	<b>031891</b>	<b>03</b>